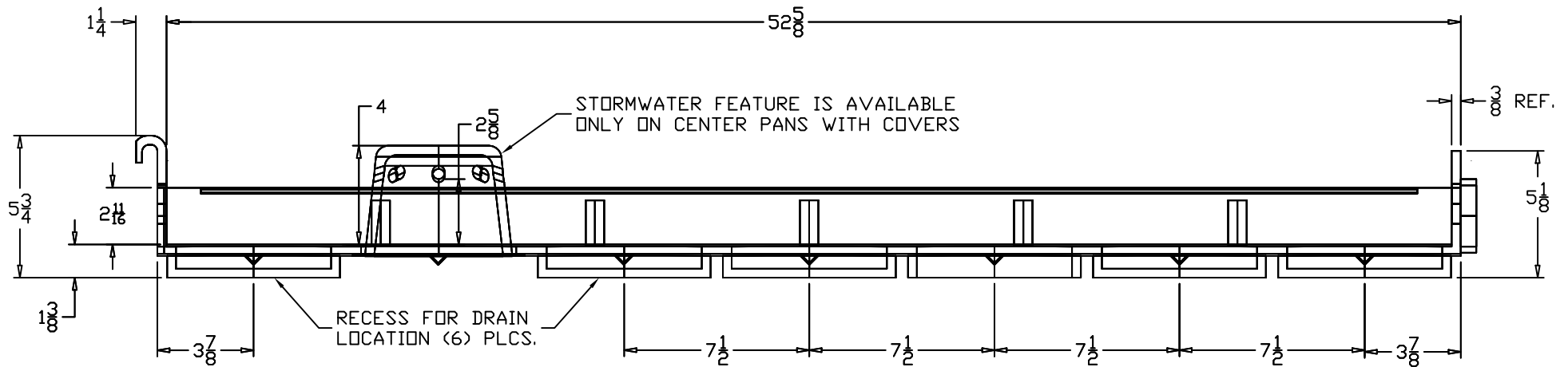


STANDARD CENTER PAN  
FRONT VIEW  
(Part# 9566)



STANDARD CENTER PAN  
SIDE VIEW  
(Part# 9566)

ALL SYSTEM DIMENSIONS ±1%

CONFIDENTIAL

This information and drawing is confidential and the property of UltraTech International, Inc. NO COPIES are to be made without express written permission from

UltraTech International, Inc.

\*\*\*\* INSIDE MOLD DIMENSIONS \*\*\*\*

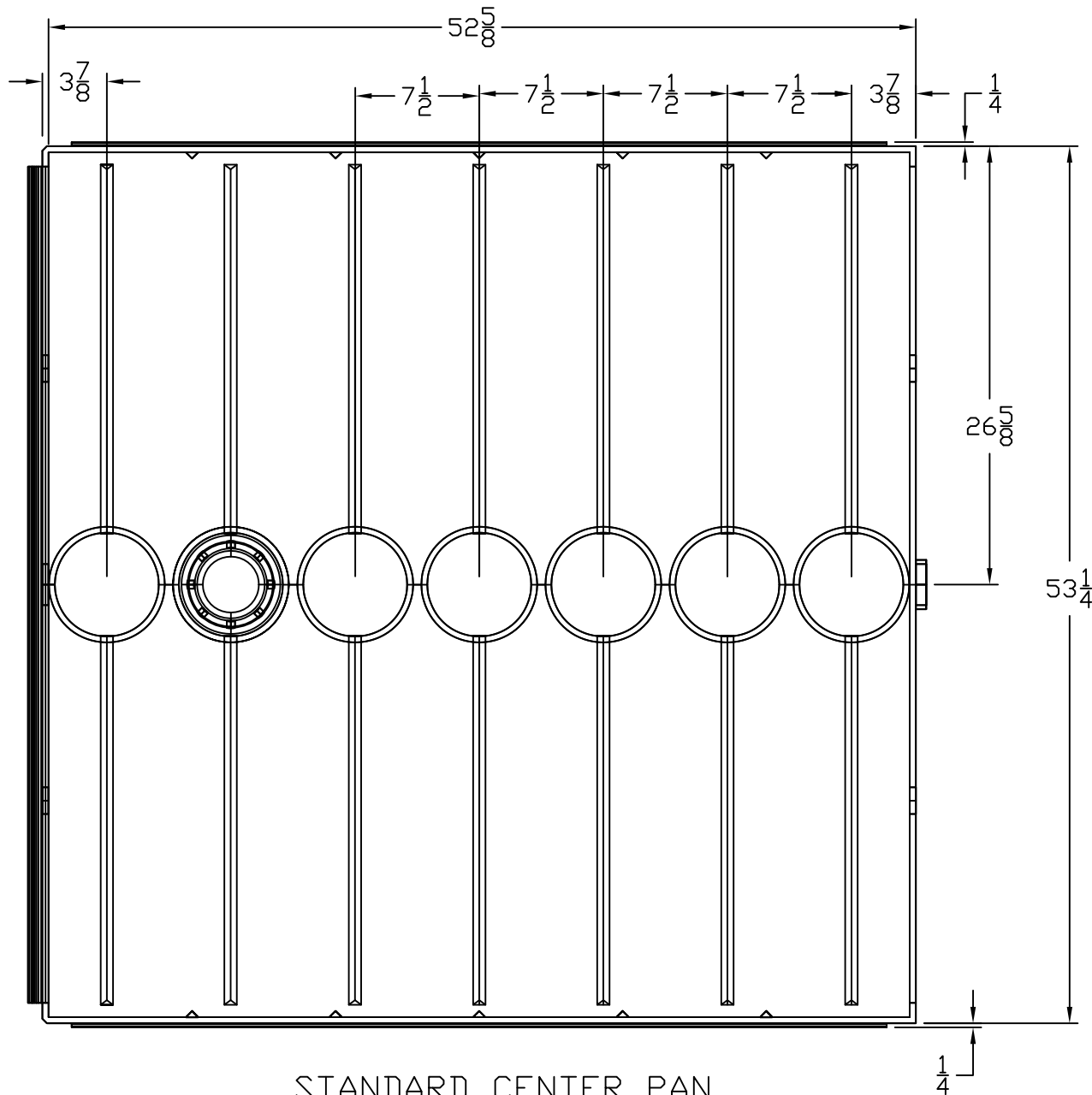
ADD DIMS	P.K.D. 5/11/04
ADD DIMS AND CALLOUTS	P.K.D. 4/29/04
NEW ARRANGEMENT	P.K.D. 3/10/04
INITIAL ISSUE	DSP 8/1/01
SYMBOL DESCRIPTION	PREP-BY DATE APPROVED

SCALE: NONE
PROJECT NO:
FILE NAME: standard system.dwg

**UltraTech International**  
Incorporated  
 11542 Davis Creek Cl. Jacksonville, Florida 32256 (904) 292-1611 Fax # (904) 292-1325 Email: paul@apilcontainment.com

DESIGNED BY: L. M. BIERCE
DRAWN BY: D. POTTS
CHECKED BY: L. M. BIERCE

ULTRA-TRACK PAN CENTER PAN DIMENSIONS	SHEET NO. 1 of 2
a) Showing Hidden Lines	



STANDARD CENTER PAN  
 PLAN VIEW  
 (Part# 9566)

ALL SYSTEM DIMENSIONS ±1%

CONFIDENTIAL

This information and drawing is confidential and the property of UltraTech International, Inc. NO COPIES are to be made without express written permission from

UltraTech International, Inc.

\*\*\*\* INSIDE MOLD DIMENSIONS \*\*\*\*

ADD DIMS	P.K.D.	5/11/04
ADD DIMS AND CALLOUTS	P.K.D.	4/29/04
NEW ARRANGEMENT	P.K.D.	3/10/04
INITIAL ISSUE	DSP	8/1/01
SYMBOL DESCRIPTION	PREP BY	DATE
	APPROVED	

SCALE: NONE
PROJECT NO:
FILE NAME: standard system.dwg

**UltraTech International**  
Incorporated

11542 Davis Creek Ct. Jacksonville, Florida 32256 (904) 292-1611 Fax # (904) 292-1325 Email: paul@ultratech.com

DESIGNED BY: L. M. BIERCE
DRAWN BY: D. POTTS
CHECKED BY: L. M. BIERCE

ULTRA-TRACK PAN	SHEET NO.
CENTER PAN DIMENSIONS	2 of 2
a) Showing Hidden Lines	