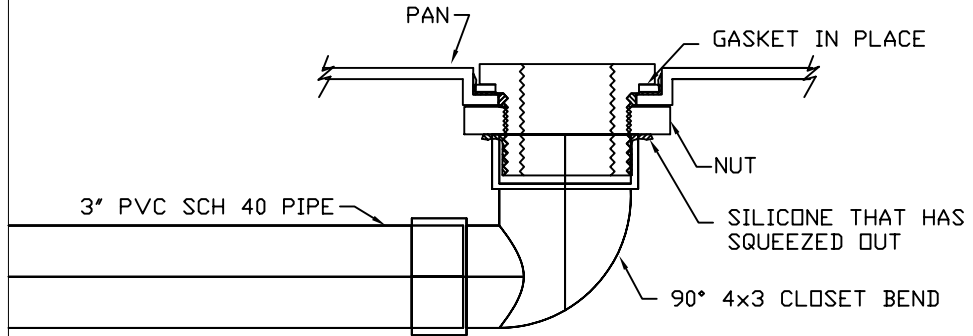
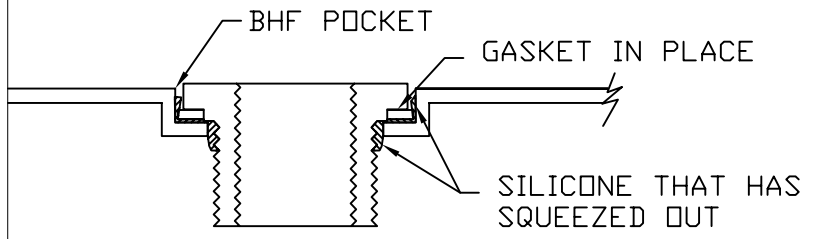


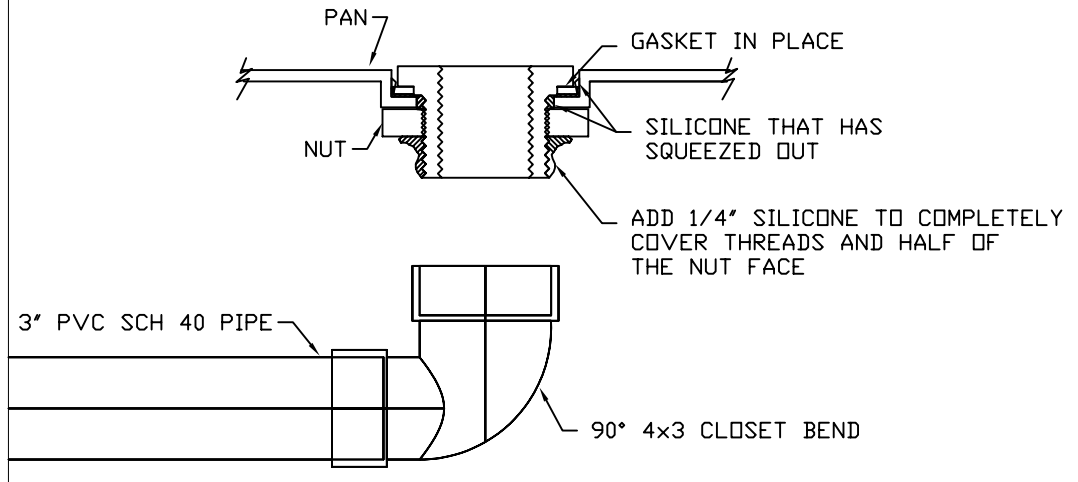
STEP 3



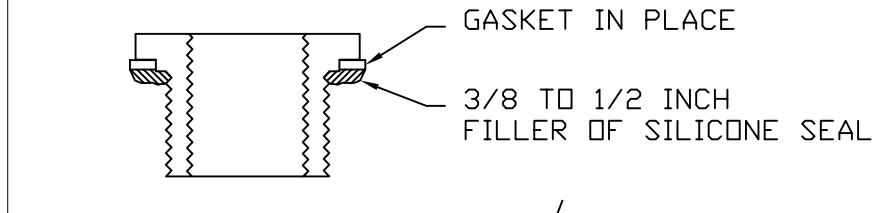
STEP 5



STEP 2



STEP 4



STEP 1

DRAIN DETAIL

**CONFIDENTIAL**  
 This information and drawing is confidential and the property of UltraTech International, Inc. NO COPIES are to be made without express written permission from UltraTech International, Inc.  
 \*\*\*\* INSIDE MOLD DIMENSIONS \*\*\*\*

ADD DIMS AND CALLOUTS	P.K.D. 4/29/04	SCALE: NONE
NEW ARRANGEMENT	P.K.D. 3/10/04	PROJECT NO:
INITIAL ISSUE	DSP 8/1/01	FILE NAME: standard system.dwg
SYMBOL DESCRIPTION	PREP BY DATE APPROVED	

**UltraTech International**  
 11542 Davis Creek Cl. Jacksonville, Florida 32256 (904) 292-1611 Fax # (904) 292-1325 Email: paul@ultratech.com

DESIGNED BY: L. M. BIERCE
DRAWN BY: D. POTTS
CHECKED BY: L. M. BIERCE

ULTRA-TRACK PAN STANDARD SYSTEM	SHEET NO. 1 of 1
a) Showing Hidden Lines	