

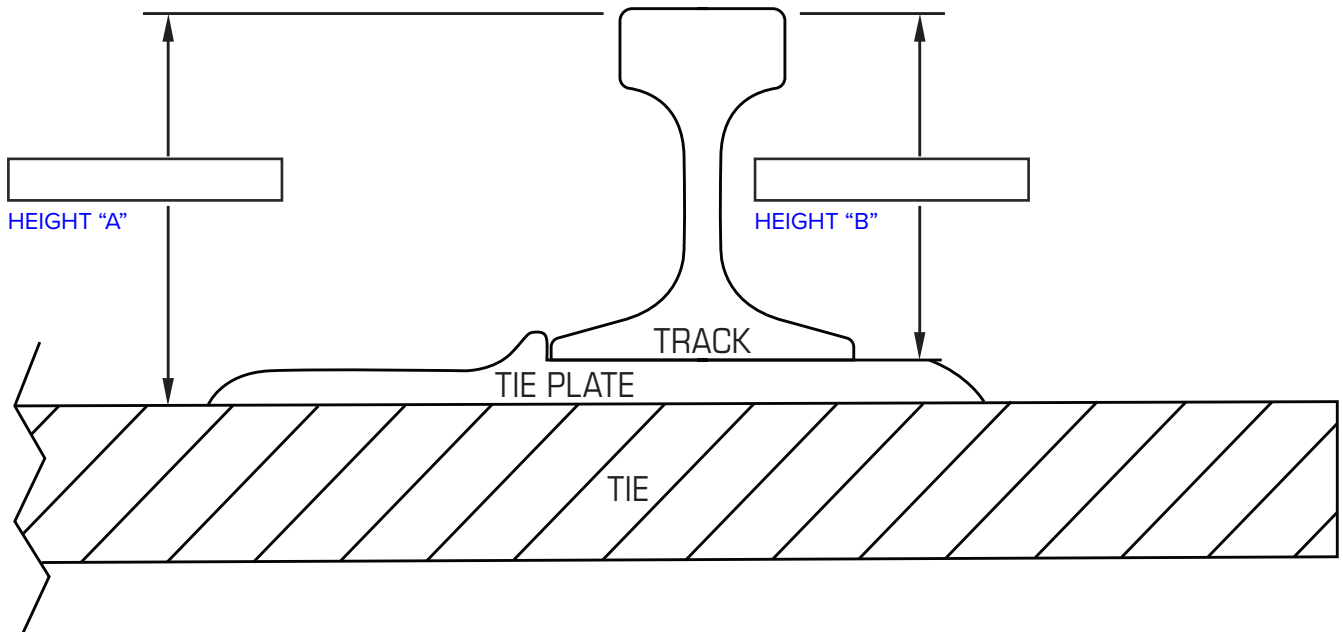


TIES & TRACK ATTACHMENT OPTIONS:

<p><u>TIES</u> Please check one:</p> <p>WOOD CONCRETE STEEL</p>	<p><u>TRACK ATTACHMENT</u> Please check one:</p> <p>SPIKES BOLTS PANDROL</p>
--	---

Please fill out the form on page 2 if you have chosen pandrols.

DRAWING & MEASUREMENTS:





DRAWINGS & MEASUREMENTS:

